

ROBUS®

INDUSTRIAL

FALCON PLUS QUAD POWER LED WALL LIGHT

35W/40W/45W/50W, IP65



PRODUCT INFORMATION DOCUMENT

FEATURES

- Unique design allowing switching between four power settings and CCT between 3000K and 4000K
- Offers highly efficient replacement for traditional 50-80W metal halide luminaires
- Durable aluminium housing with high quality powder coating finish ensures lasting aesthetics
- Cable entry secured 20mm PG gland or silicone grommet

CONSTRUCTION

- Die cast aluminium housing
- Polycarbonate diffuser
- Complete with stainless steel screws
- BESA mounting facility on the back of the fitting



WARRANTY



LIFETIME



LUMENS PER W



IK RATING



IP RATING



OPERATING VOLTAGE



BEAM ANGLE



DIMMING



CCT



SAFETY CLASS

Product Code:	RFA50X0-04
Comparable to:	50-80W Metal Halide
Total Power (W):	36.0/41.0/45.8/50.1
Power Factor:	0.95
Total Light Output (lm):	3870/4340/4760/5180
Total Emergency Light Output (lm):	NA
Efficacy (lm/cctW):	107/106/104/102
Lux at 1m (lux):	460/520/570/620
Emergency Lux at 1m (lux):	NA
CCT (K):	3000/4000
CRI:	80
IP:	65
IK:	08
Operation Temperature (°C):	-20 ≤ Ta ≤ +40
Inrush Current:	32A/2us
RG Value:	0
SDCM:	6
P _{ST} LM:	NA
SVM:	NA
Energy Class:	D
Rated Life to L70B50 (Hrs):	50000
Dimensions LxWxH (mm):	312x267x128
Weight (kg):	1.9

Separate Control Gear Information	
Type of Light Source:	LED
Full Load Efficiency (%):	88
P _{NET} (W):	NA
Dimensions (mm):	210x30x21

Product is certified to all the relevant standards.

Please contact our technical department for market specific compliances.

PLEASE NOTE: INFORMATION IN THIS DOCUMENT MAY BE SUBJECT TO CHANGE WITHOUT PRIOR NOTICE

IRE: TEL: +353 1 709 9000
UK: TEL: 0800 973 220
AUS: TEL: +61 7 3890 5444
NZ: TEL: +64 03 668 5285

WEB: ROB.US.COM
WEB: ROB.US.COM
WEB: ROB.US.COM.AU
WEB: ROB.USLED.CO.NZ

LED GROUP EUROPE · UK · AUSTRALIA · NEW ZEALAND · ASIA · MIDDLE EAST · AFRICA

FALCON PLUS QUAD POWER LED WALL LIGHT

35W/40W/45W/50W, IP65

Cone Illuminance Diagram

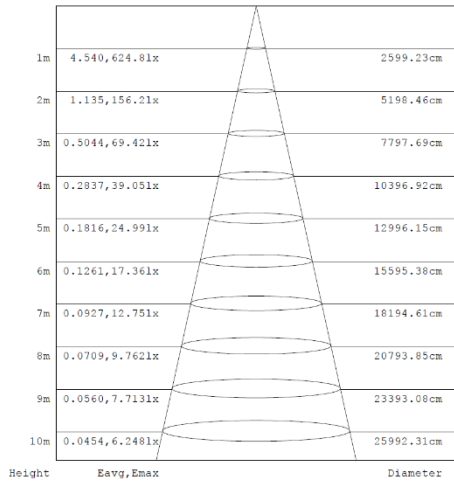
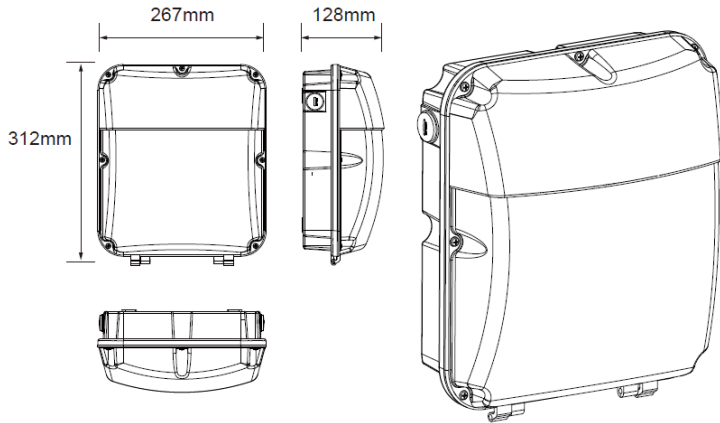


Diagram for RFA50X0-04 in 30W 4000K. Other diagrams available on request

Dimension Diagram



Sensor Data

Time Off Delay:	NA
Illuminance Switching Range:	NA
Sensitivity Range (%):	NA
Mounting Height (max):	NA
Detection Zone Diameter (max):	NA

Polar Intensity Diagram

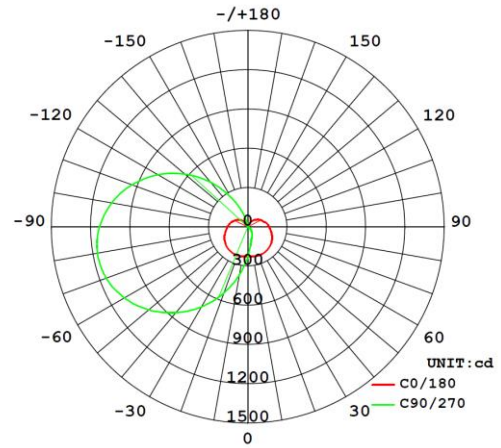


Diagram for RFA50X0-04 in 30W 4000K. Other diagrams available on request

Accessories

NA